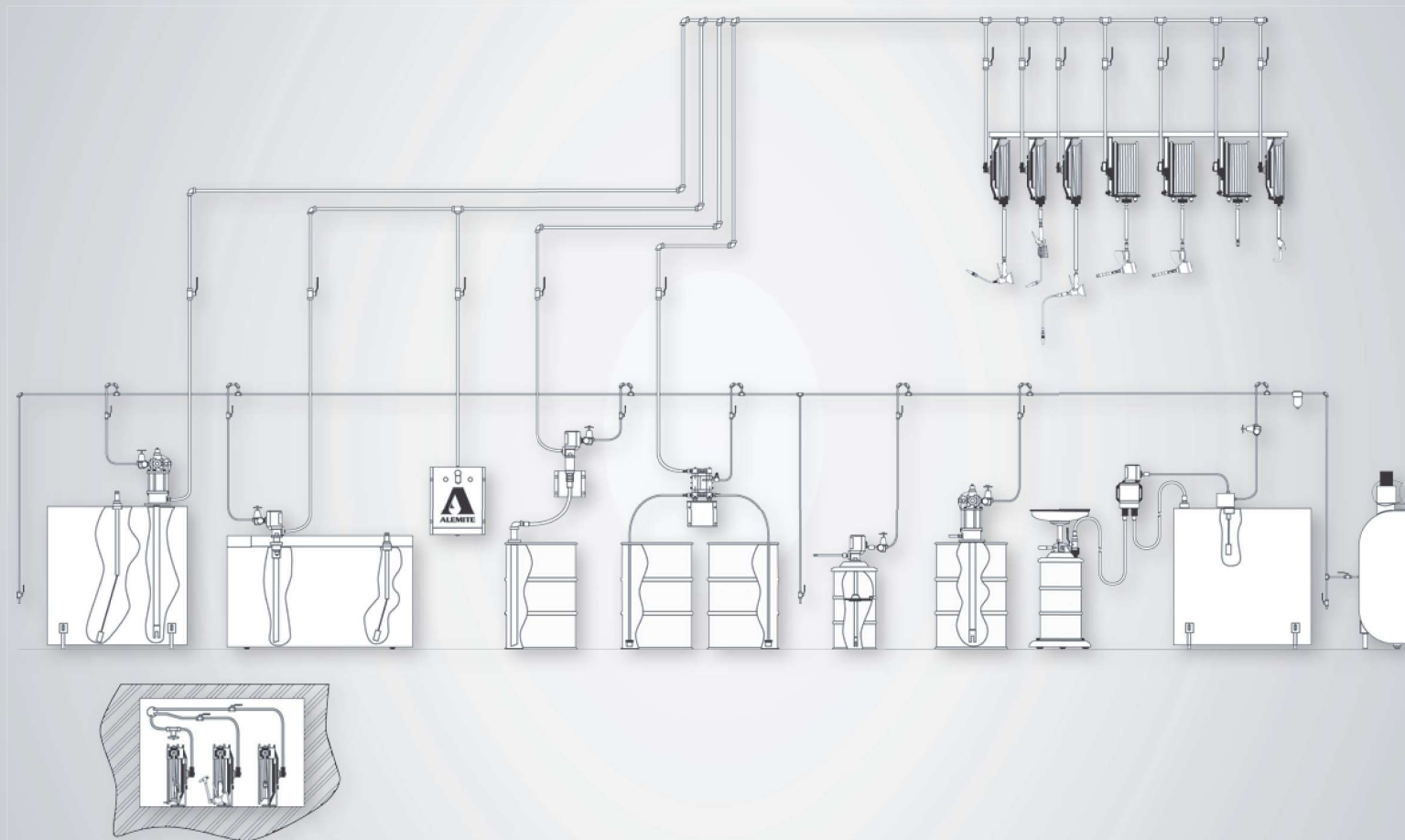


EXAMPLE PRODUCT CONFIGURATIONS



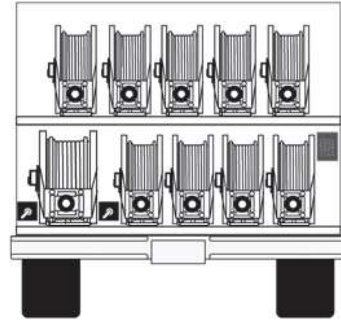
- ▶ Lube Truck
- ▶ Grease Pump Systems
- ▶ Oil Pump and Reel Systems

The following product configurations provide examples of easy-to-use systems constructed from a variety of high-quality Alemite products. For vehicle service facilities, lube truck setup and multiple other applications, these configurations can assist in developing an efficient, work-ready environment.

LUBE TRUCK

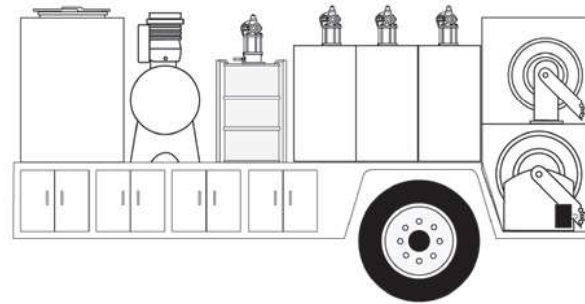
Grease

Product #	Qty.	Description	Page
8081-B	1	H.P. Double Post Reel, 50 ft Hose, Hose Stop	66
6320-3	1	H.P. Control Valve	90
B321320	1	H.P. Z-Swivel	77
9979-A	1	50:1 RAM Pump	32
321340	1	Tie Down Kit	170



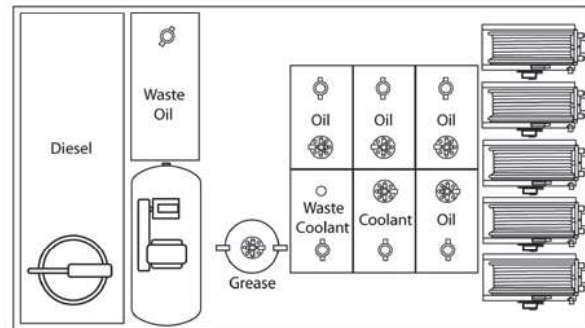
Oils

Product #	Qty.	Description	Page
8081-D	4	M.P. Double Post Reel, 50' Hose, Hose Stop	66
3671-B	4	Meters: 2 = Motor Oil, Gear Oil, Hydraulic Oil	82
9968	4	5:1 RAM Pump: Motor Oil, Gear Oil, Hydraulic Oil	28
—	4	Suction Tube by Installer	—



Coolant

Product #	Qty.	Description	Page
8081-D	1	M.P. Double Post Reel, 50 ft Hose, Hose Stop	66
8322	1	1/2" Diaphragm Pump	50
3671-B	1	Meter	82





EXAMPLE PRODUCT CONFIGURATIONS

GREASE PUMP SYSTEMS WITH HEAVY-DUTY REEL

Standard Duty Grease Pump with Heavy-Duty Reel – 120 lb Drum

Item	Product #	Qty.	Description	Page
1	8550-A1	1	50:1 Pump & Cover	34
2	338802 ⁽¹⁾	1	Follower	55
3	317882-7	1	Hose	78
4	1001-86	1	Union	127
5	380372-B1	1	Strainer	56
6	308785	2	Shut-Off Valve	–
7	–	–	Lubricant Piping ⁽²⁾	–
8	8078-B	1	50 ft Reel Assembly	62
9	6320-3	1	Control Valve	90
10	–	–	Air Piping ⁽²⁾	–
11	338860	1	Filter/Regulator Pkg ⁽³⁾	160
12	317803-3	1	Hose	79
13	B328030 ⁽¹⁾	1	Air Coupler	163
14	B328034 ⁽¹⁾	1	Air Adapter	163
15	51888	1	Male Adapter	126
16	SWA274	1	1/2" Ball Valve	–
17	130552	1	Male/Male Adapter	126
18	B331107	1	Swivel	77

⁽¹⁾Included with 8550-A1

⁽²⁾Furnished by equipment installer

⁽³⁾Use 338860 when filter/regulator is mounted to a wall.
Use 7936 when attached to pump.

RAM Grease Pump with Heavy-Duty Reel – 120 lb Drum

Item	Product #	Qty.	Description	Page
1	9950-A1	1	50:1 Pump & Cover	32
2	338802 ⁽¹⁾	1	Follower	55
3	317882-7	1	Hose	78
4	1001-86	1	Union	127
5	380372-B1	1	Strainer	56
6	308785	2	Shut-Off Valve	–
7	–	–	Lubricant Piping ⁽²⁾	–
8	8078-B	1	50 ft Reel Assembly	62
9	6320-3	1	Control Valve	90
10	–	–	Air Piping ⁽²⁾	–
11	338860	1	Filter/Regulator Pkg ⁽³⁾	160
12	317803-3	1	Hose	79
13	328030	1	Air Coupler	163
14	328034	1	Air Adapter	163
15	51888	1	Male Adapter	126
16	SWA274	1	1/2" Ball Valve	–
17	130552	1	Male/Male Adapter	126
18	B331107	1	Swivel	77

⁽¹⁾Included with 9950-A1

⁽²⁾Furnished by equipment installer

⁽³⁾Use 338860 when filter/regulator is mounted to a wall.
Use 7936 when attached to pump.



HEAVY-DUTY GREASE PUMP WITH HEAVY-DUTY REEL

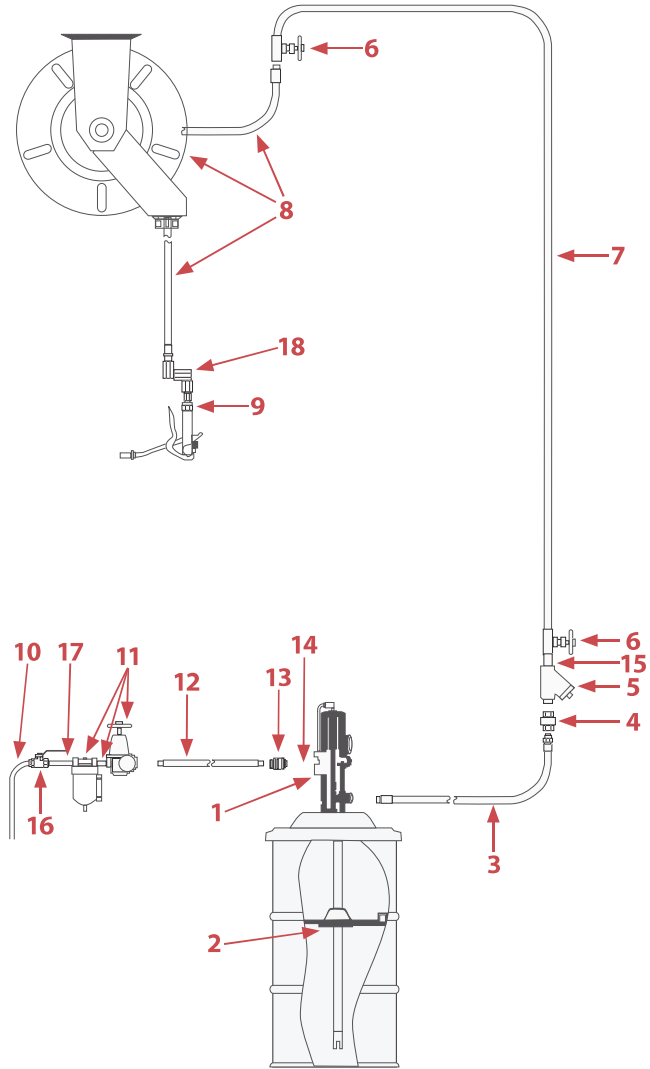
Heavy-Duty Grease Pump with Heavy-Duty Reel – 400 lb Drum⁽³⁾

Item	Product #	Qty.	Description	Page
1	7785-A5 323847-4	1 1	40:1 Pump Cover	36 54
2	338912	1	Follower	55
3	317882-7	1	Hose	78
4	1001-86	1	Union	127
5	380372-B1	1	Strainer	56
6	308785	2	Shut-Off Valve	–
7	–	–	Lubricant Piping ⁽²⁾	–
8	8078-B	1	50 ft Reel Assembly	62
9	6320-3	1	Control Valve	90
10	–	–	Air Piping ⁽²⁾	–
11	338862	1	Filter/Regulator Pkg	160
12	317803-3	1	Hose	79
13	328031 ⁽¹⁾	1	Air Coupler	163
14	328037 ⁽¹⁾	1	Air Adapter	163
15	51888	1	Male Adapter	126
16	SWA274	1	1/2" Ball Valve	–
17	130552	1	Male/Male Adapter	126
18	B331107	1	Swivel	77

⁽¹⁾Included with 7785-A5

⁽²⁾Furnished by equipment installer

⁽³⁾Available as a package (387771), including all items except 7 & 10.





EXAMPLE PRODUCT CONFIGURATIONS

MEDIUM-PRESSURE OIL PUMP AND REEL SYSTEMS

RAM Oil Pump with Heavy-Duty Reel – 16 Gallon Drum

Item	Product #	Qty.	Description	Page
1	9960-A	1	5:1 Pump	28
2	317813-5F	1	Hose	78
3	380372-A1	1	Strainer	56
4	SWA274	3	1/2" Ball Valve	–
5	–	–	Lubricant Piping ⁽²⁾	–
6	8078-D	1	50 ft Reel Assembly	62
7	3685-F	1	Oil Meter	85
8	–	–	Air Piping ⁽²⁾	–
9	338860	1	Filter/Regulator Pkg ⁽³⁾	160
10	317803-3	1	Hose	79
11	328030 ⁽¹⁾	1	Air Coupler	163
12	328034 ⁽¹⁾	1	Air Adapter	163
13	51888	1	Male Adapter	126
14	1000-88	1	Adapter	126
15	130552	1	Male/Male Adapter	126

⁽¹⁾Not supplied with Alemite pump

⁽²⁾Furnished by equipment installer

⁽³⁾Use 338860 when filter/regulator is mounted to a wall.
Use 7936 when attached to pump.

RAM Oil Pump with Heavy-Duty Reel – 55 Gallon Drum

Item	Product #	Qty.	Description	Page
1	9969-B	1	5:1 Pump	28
2	317813-5F	1	Hose	78
3	380372-A1	1	Strainer	56
4	SWA274	3	1/2" Ball Valve	–
5	–	–	Lubricant Piping ⁽²⁾	–
6	8078-D	1	50 ft Reel Assembly	62
7	3685-F	1	Oil Meter	85
8	–	–	Air Piping ⁽²⁾	–
9	338860	1	Filter/Regulator Pkg ⁽³⁾	160
10	317803-3	1	Hose	79
11	328030 ⁽¹⁾	1	Air Coupler	163
12	328034 ⁽¹⁾	1	Air Adapter	163
13	51888	1	Male Adapter	126
14	1000-88	1	Adapter	126
15	130552	1	Male/Male Adapter	126

⁽¹⁾Not supplied with Alemite pump

⁽²⁾Furnished by equipment installer

⁽³⁾Use 338860 when filter/regulator is mounted to a wall.
Use 7936 when attached to pump.



MEDIUM-PRESSURE OIL PUMP AND REEL SYSTEMS

RAM Oil Pump Package – 200-Gallon Tank

Item	Product #	Qty.	Description	Page
1	9968	1	5:1 Pump	28
2	8078-D	1	50 ft Reel Assembly	62
3	3670	1	Oil Meter, Rigid Extension	82
4	7936	1	Filter/Regulator	161

May be ordered as product #343076, including the above 4 items.

RAM Oil Pump Package – 200-Gallon Tank

Item	Product #	Qty.	Description	Page
1	9968	1	5:1 Pump	28
2	8078-D	1	50 ft Reel Assembly	62
3	3671	1	Oil Meter, Flexible Extension	82
4	7936	1	Filter/Regulator	161

May be ordered as product #343077, including the above 4 items.

RAM Oil Pump Packaged Unit (343076)

INCLUDES:

- (1) 5:1 Pump (9968)
- (1) 50 ft Reel Assembly (8078-D)
- (1) Oil Meter, Rigid Extension (3670)
- (1) Filter/Regulator (7936)



RAM Oil Pump Packaged Unit (343077)

INCLUDES:

- (1) 5:1 Pump (9968)
- (1) 50 ft Reel Assembly (8078-D)
- (1) Oil Meter, Flexible Extension (3671)
- (1) Filter/Regulator (7936)



EXAMPLE PRODUCT CONFIGURATIONS

OIL PUMP SYSTEMS WITH HEAVY-DUTY REEL

Heavy-Duty Oil Pump with Heavy-Duty Reel – 55 Gallon Drum

Item	Product #	Qty.	Description	Page
1	7783-A4 ⁽³⁾	1	6:1 Pump	31
2	317813-5F	1	Hose	78
3	380372-A1	1	Strainer	56
4	SWA274	3	1/2" Ball Valve	–
5	–	–	Air Piping ⁽²⁾	–
6	8078-D	1	50 ft Reel Assembly	62
7	3685-F	1	Oil Meter	85
8	–	–	Air Piping ⁽²⁾	–
9	338862	1	Filter/Regulator Pkg	160
10	317811-5	1	Hose	79
11	328031 ⁽¹⁾	1	Air Coupler	163
12	328037 ⁽¹⁾	1	Air Adapter	163
13	51888	1	Male Adapter	126
14	1000-88	1	Adapter	126
15	130552	1	Male/Male Adapter	126
16	324170	1	Muffler	–

⁽¹⁾Supplied with Alemite pump
⁽²⁾Furnished by equipment installer
⁽³⁾Bung mount, order 326750-B1

